

## Downstairs Shower Rebuild

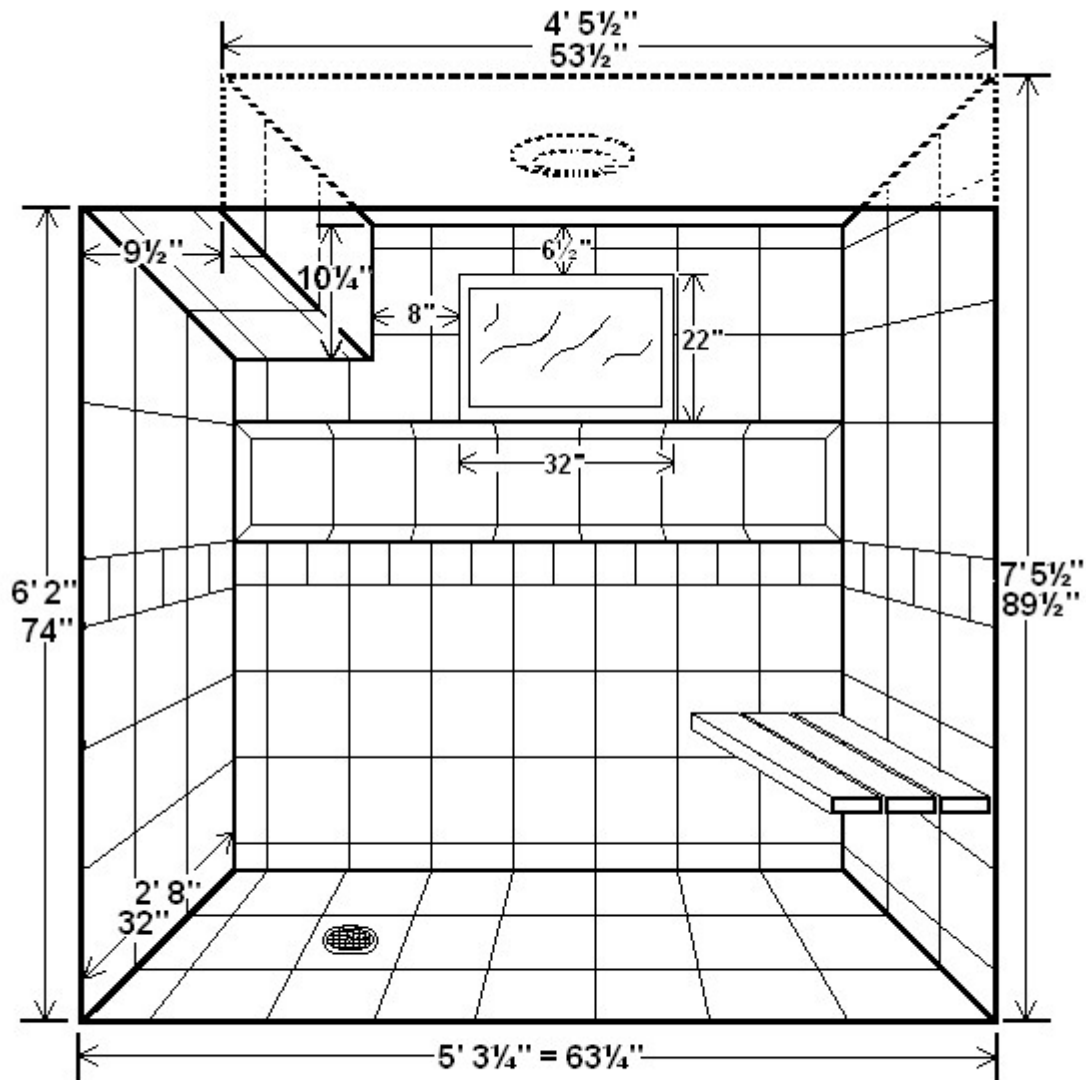


When I tore out the old enclosure I found a window that had been covered



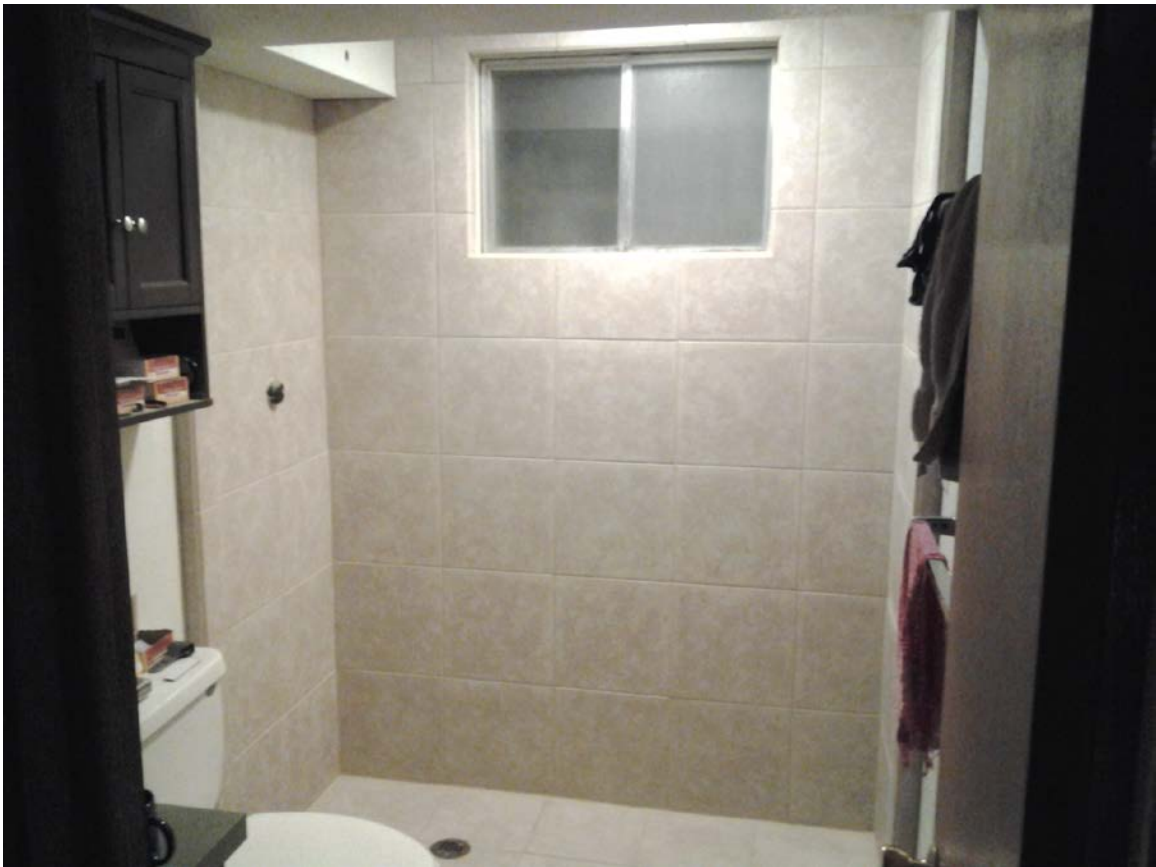
Some cement work had to be done before the tile job

# Basement Shower Enclosure Measurements

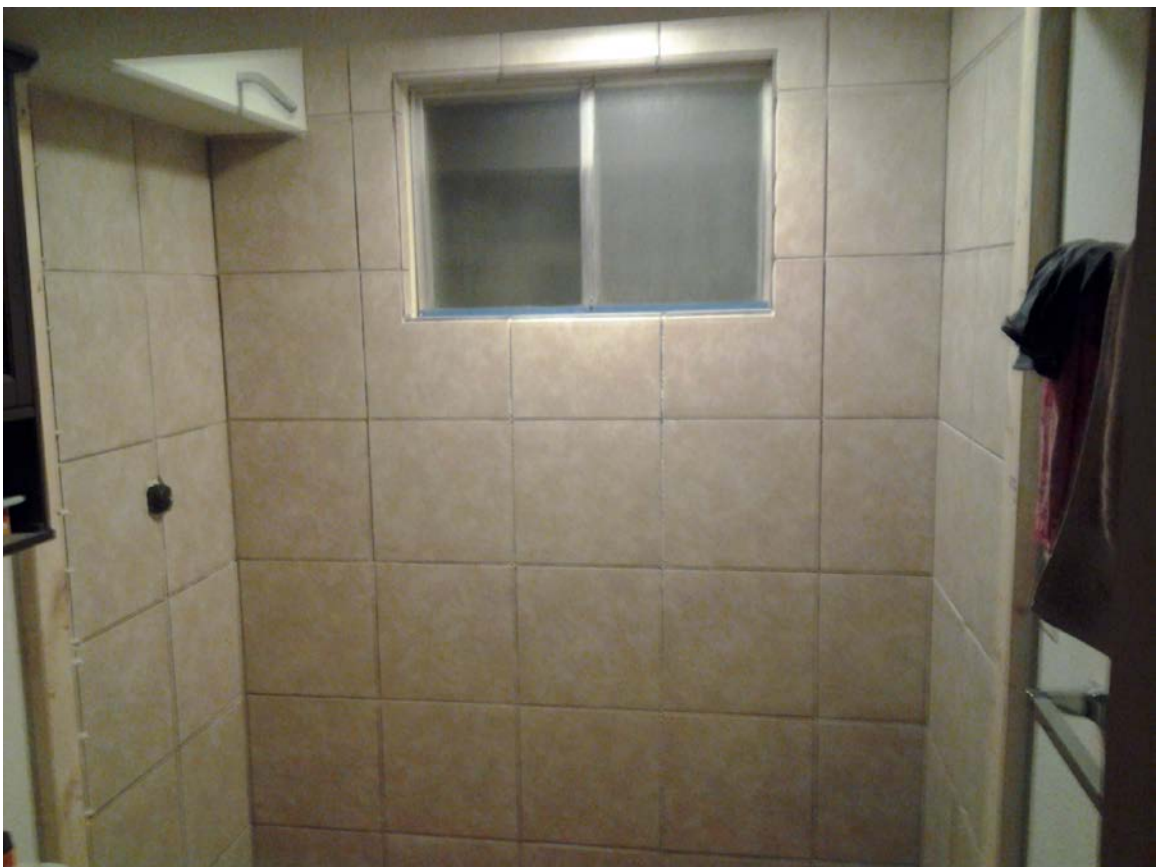


**128 12 X 12 Tiles Needed**  
**6' or 72" High Shower Doors**

New plumbing and fixtures were installed



A new ceiling light was also added in the new enclosure



I got rid of the old shower curtains and installed glass doors

